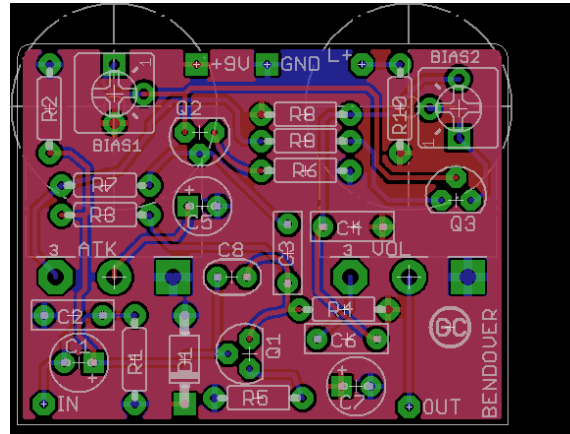


GRIND CUSTOMS FX

WWW.GRINDCUSTOMSFX.COM

BENDOVER



R1	1M
R2	100K
R3	470K
R4	10K
R5	2K7
R6	100R
R7	100K
R8	1K
R9	220R
R10	10K

C1	4.7U
C2	10N
C3	33N
C4	22N
C5	4.7U
C6	220N
C7	47U
C8	1N

D1	1N4001
Q1 & Q2	SS9013
Q3	MPSA18
BIAS1&2	50K TRIMMER
VOLUME	A100K
ATTACK	B1K

HISTORY

This is our take on the ToneBender MKIII adapted to Si transistor use. When built with the right transistors it's a very convincing replica to its original germanium predecessor.

Suggested trannies for Q1 and Q2 SS9013

If you don't have any, find transistor within the 80 to 220hfe gain range. That will keep you in the ball park of what we spec'd it with.

I prefer to use a C5K for the Attack control.

GRIND CUSTOMS FX

WWW.GRINDCUSTOMSFX.COM

