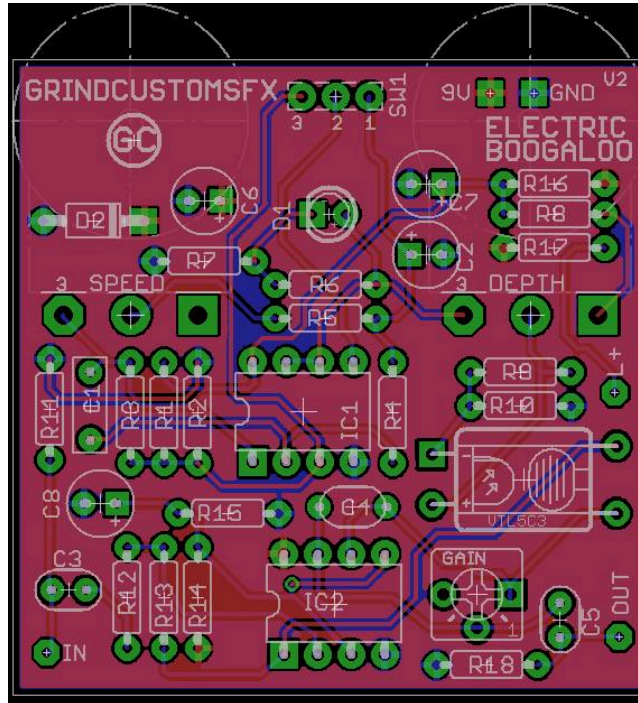


GRIND CUSTOMS FX

WWW.GRINDCUSTOMSFX.COM

ELECTRIC BOOGALOO



R1	220K	C1	10N	D1	LED
R2	220K	C2	10U	D2	1N4001
R3	220K	C3	1U	SPEED	B100K
R4	220K	C4	330P	DEPTH	B1K
R5	2K2	C5	1U	GAIN	B50K (TRIMMER)
R6	1K	C6	47U	SW1	SPDT
R7	1K	C7	47U	IC1	TL062
R8	470R	C8	47U	IC2	TL072
R9	1K			VACTROL	VTL5C3
R10	1K				
R11	1M				
R12	220K				
R13	220K				
R14	100K				
R15	100K				
R16	100R				
R17	CLR				
R18	1M				

GRIND CUSTOMS FX

WWW.GRINDCUSTOMSFX.COM

HISTORY

This is CJ's (Forrest) Shoot The Moon tremolo. A very popular effect with the DIY community in it's many different guises. It is full of wobbly goodness.

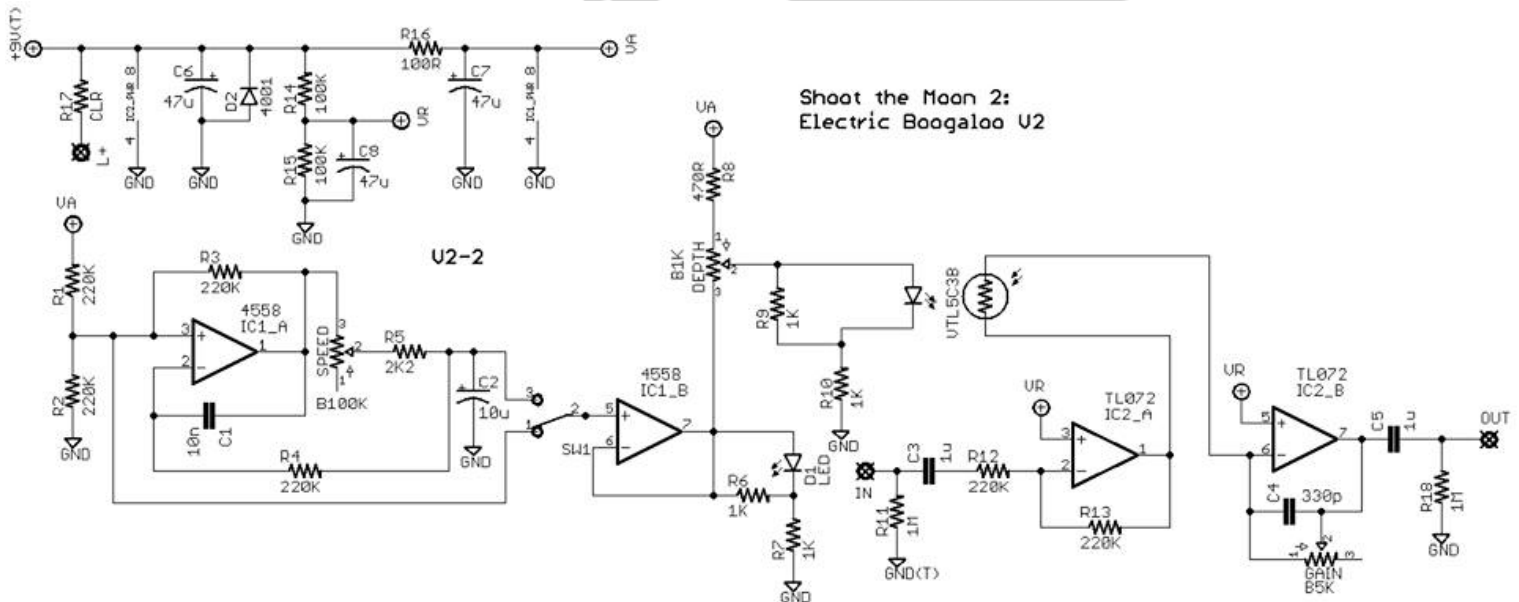
REJ MODS

However, you don't have to make it standard ;) There are a range of mods that Rej suggested that I can attest to being rather good. Sooo, if you fancy it...

Use a C250K pot for speed. Fit a B500K pot for wave in place of the switch. If you use a different LDR (I recommend a Tayda one with either red or orange LED) you might want to socket R8 and try a few values to see what works best. Finally swap C2 for a 6u8 cap.

The sum of these changes will give you control over the wave, plus super slow and fast speeds.

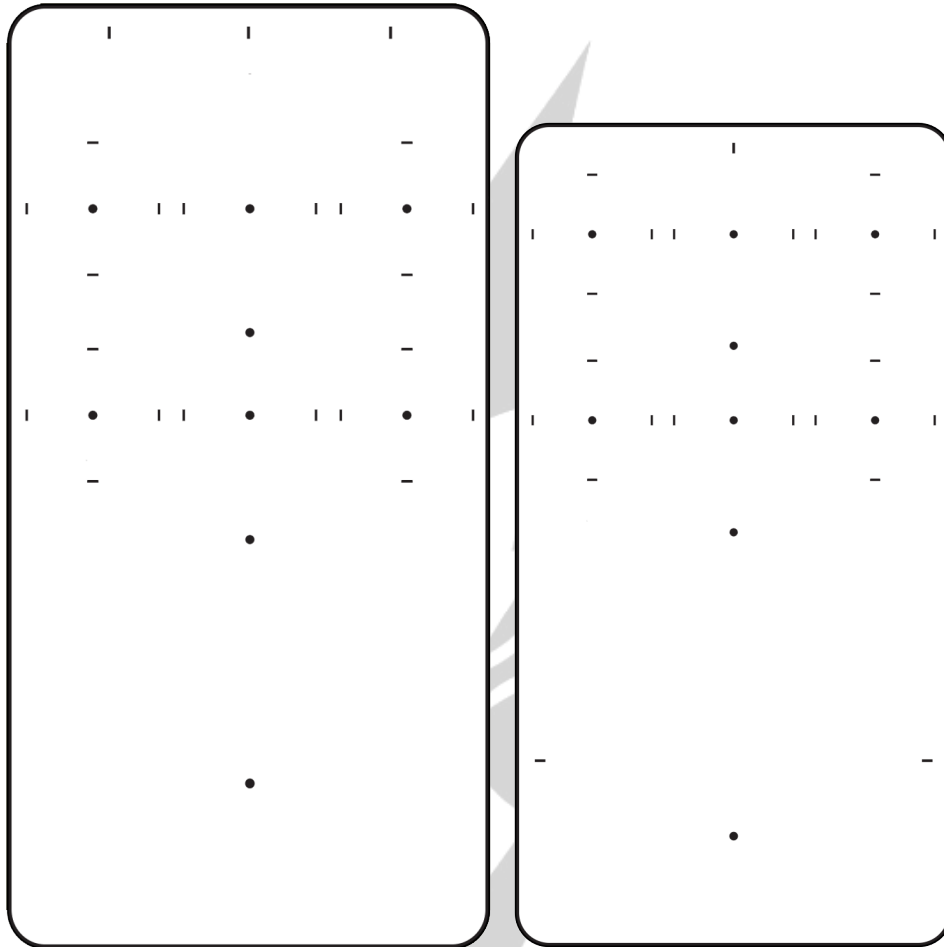
You know you want to.



GRIND CUSTOMS FX

WWW.GRINDCUSTOMSFX.COM

GENERIC 125B / 1590B DRILLING TEMPLATES



The PCB was designed to work either in a 1590B or 125B enclosure. There are extra ground pads and 9V pads to give alternate ways of wiring it up, they don't need to be all connected. Also, if a bypass daughter board with LED is used, you can omit the on-board current limiting resistor (CLR).