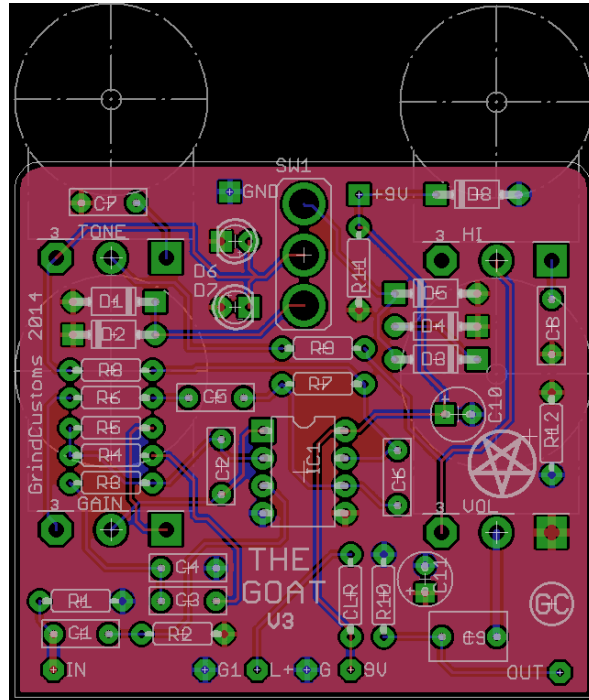


GRIND CUSTOMS FX

WWW.GRINDCUSTOMSFX.COM

GOAT V3



PCB by Forrest.

R1 1M

R2 1M

R3 22K

R4 33K

R5 10K

R6 10K

R7 220K

R8 1K

R9 4K7

R10 1M

R11 47K

R12 47K

C1 10N**

C2 100P

C3 10N

C4 10N

C5 100N**

C6 100P

C7 10N

C8 10N

C9 1U

C10 47U

C11 47U

D1-D5 1N914

D6-D7 LED

D8 1N4001

GAIN B100K*

TONE B25K

HI B50K

VOLUME A100K

SW1 ON/OFF/ON

IC1 TL072

*High gain mod: Replace with C250K

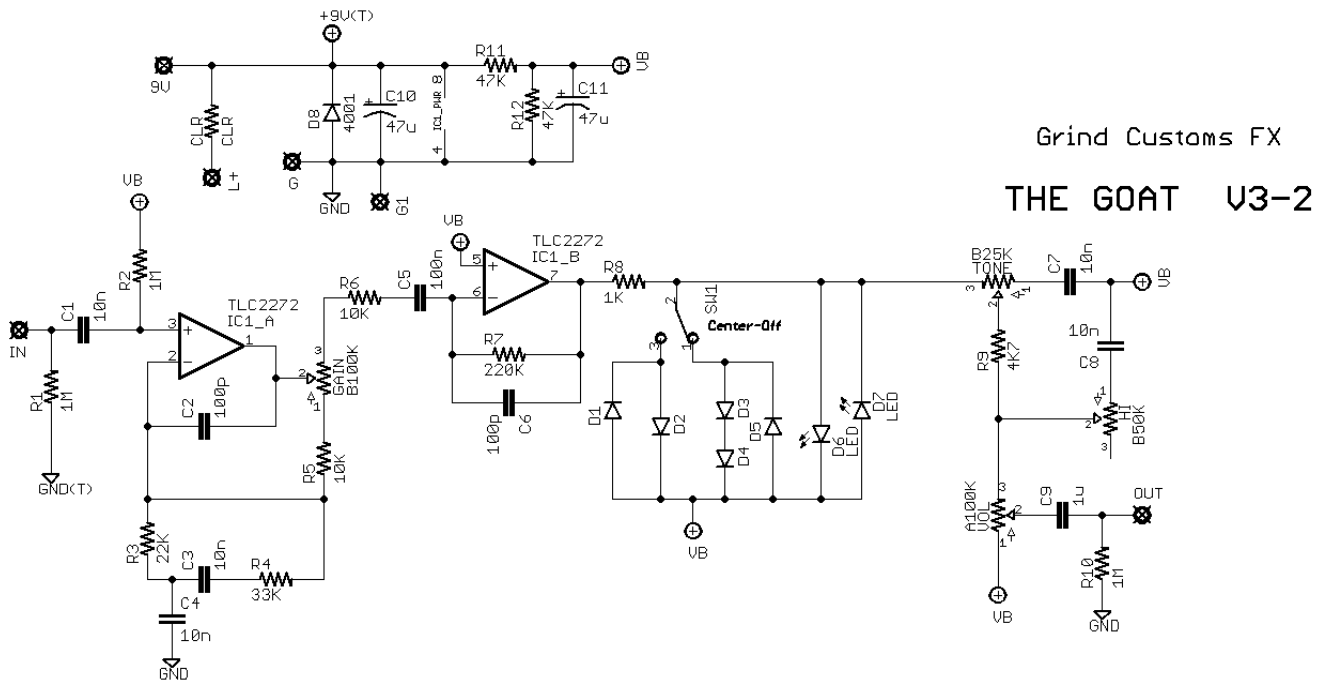
**Beef Mod: Replace C1 with 1uF MLCC, Replace C5 with 220nf

The Goat based on the Marshall Bluesbreaker that has been tweaked to be more responsive without losing too much of that classic tone print.

It is possible to make PoT, KoT and other boutique variants of the Bluesbreaker on this PCB should you so desire.

GRIND CUSTOMS FX

WWW.GRINDCUSTOMSFX.COM



GENERIC 125B / 1590B DRILLING TEMPLATES

