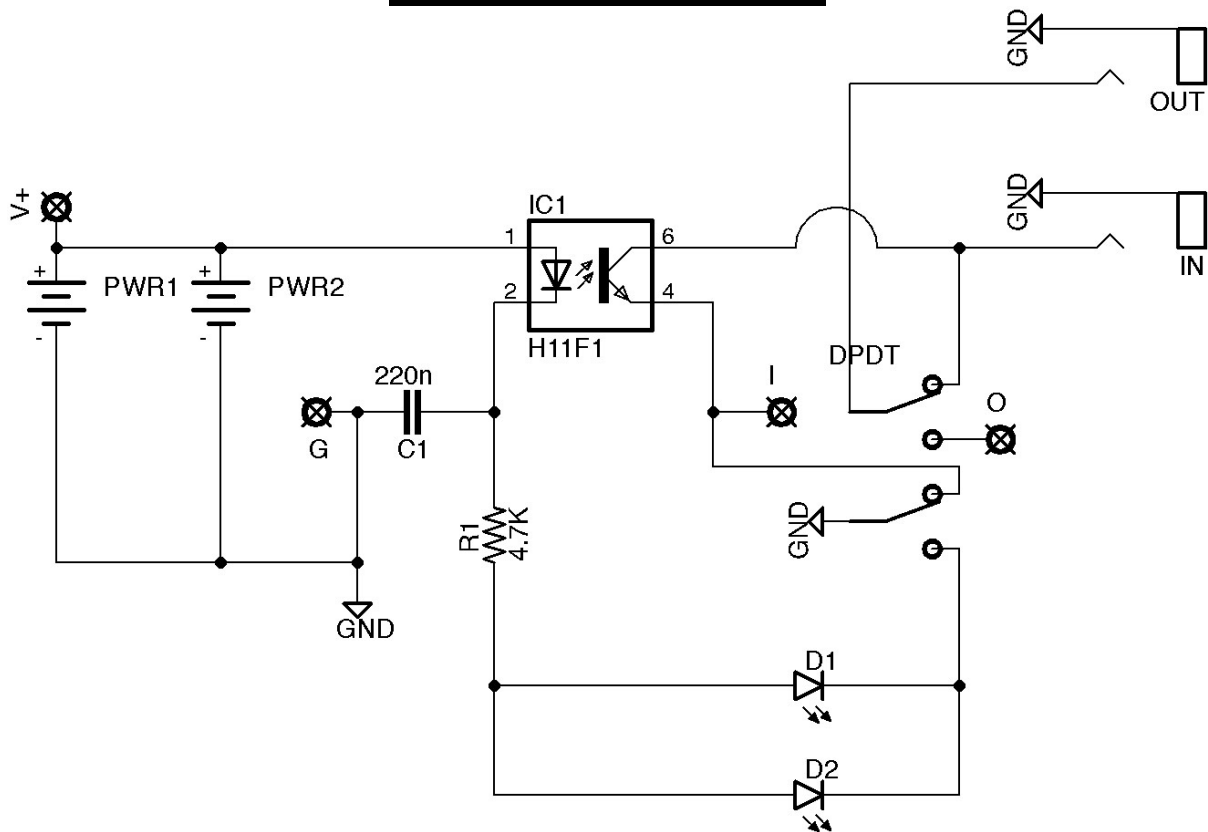
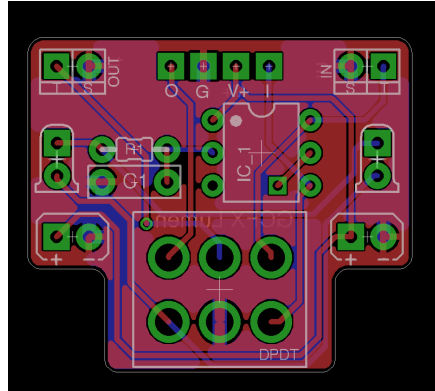


GRIND CUSTOMS FX

WWW.GRINDCUSTOMSFX.COM

LUMEN



OVERVIEW

This is an optical bypass stomp board primarily designed for 1590A enclosures, though it is reversible (silk screened both sides) to use in bigger ones. When reversed, components go on the switch side. It's very, very wee. PCB by Jason.

I'm not even going to do a BOM for it. It's only got 4 parts, I'm fairly sure you can get that from the schematic ;) Though I will mention that the Optocoupler (OK1) can either be a 6 pin Fairchild H11F1 or a 4 pin Toshiba TLP222G.

To fit the Toshiba, connect the square pad under the IC to the pad to its right with a jumper. Orient the IC with pin 1 as normal.