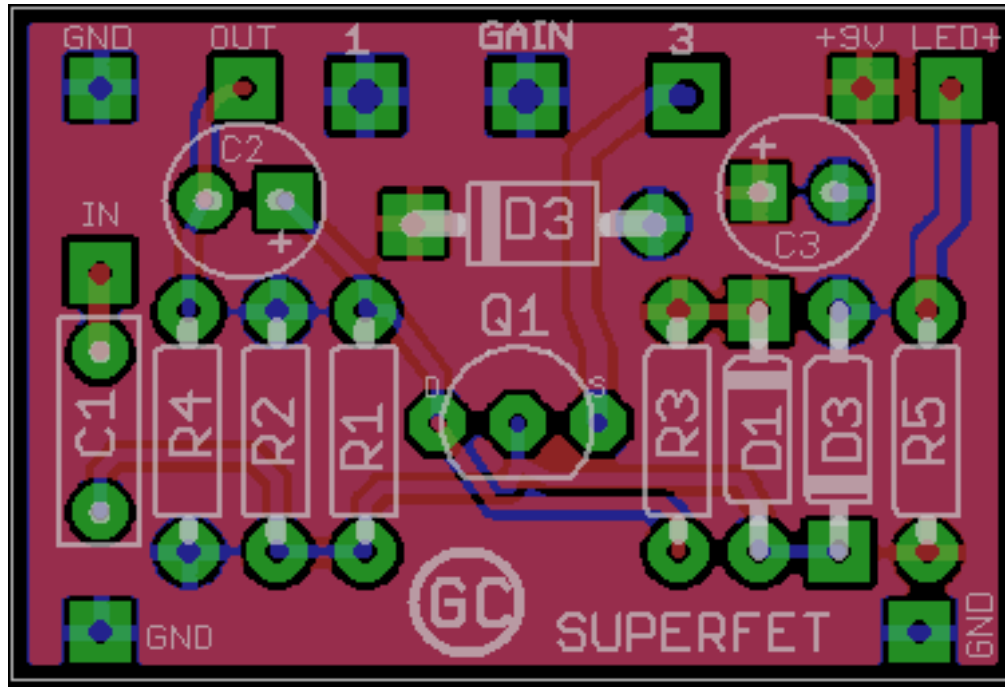




SuperFET Booster



Dimensions are approximately 1.25" x 0.80".

R1	10M	C1	100nF
R2	10M	C2	10 μ F
R3	5K1	C3	100 μ F
R4	100K	D1	1N4148
R5	5K1	D2	1N4148
Q1	BS170	D3	1N4001
GAIN	C5K		



Notes

- The GAIN pot pads are spaced for PCB-mount pots, but of course any pot will work if wired off-board.
- D3 and C3 are for polarity protection and AC ripple rejection, respectively. They are optional, but recommended. C3 can be any electrolytic cap 47 μ F or larger.
- R5 is a current-limiting resistor for the bypass status LED. It is optional.
- The "LED+" pad is to be connected to the positive lead of the indicator LED. This is also optional.

Schematic:

