

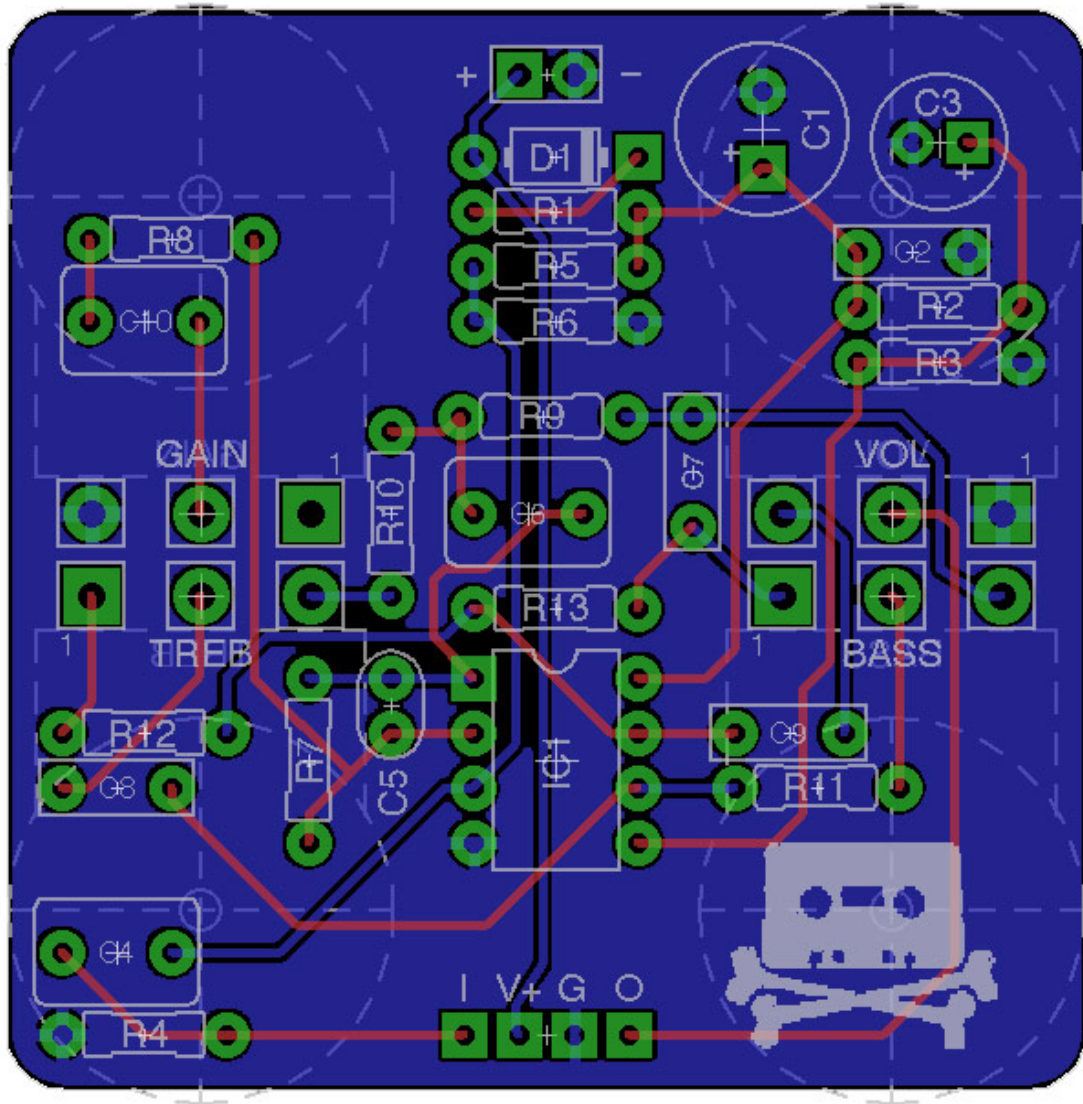
JUANSOLOFX

STOMPAGE.JUANSOLO.CO.UK

JSFX?

JSFX isn't actually a thing. It's just something to call me and Cleggy who are making effects for ourselves along with the PCB layout ninjitsu of Jason (Juba181). Some of those PCBs might make it out into the wild so I thought I'd do some docs for them.

DTF?



OVERVIEW

As a clone of a pedal that's currently in production, this is strictly for DIY only. I'd not want to tread on the toes of the most excellent work Mid-Fi Electronics did with this effect.

This is the clone of his least mad effect, the Demo Tape Fuzz, which I consider to be not only one of the true original designs out there, but also just a damned versatile and sweet sounding effect.

JUANSOLOFX

STOMPAGE.JUANSOLO.CO.UK

BOM

R1	100R	C1	100U	D1	1N5817
R2	10K	C2	100N	IC1	4558
R3	10K	C3	47U	GAIN	B25K
R4	1M	C4	1U	BASS	B100K
R5	100K	C5	10P	TREBLE	B500K
R6	100K	C6	1U	VOLUME	B100K
R7	470K	C7	47N		
R8	470R	C8	4.7N		
R9	10K	C9	47N		
R10	3K6	C10	1U		
R11	10K				
R12	3K6				
R13	10K				

SCHEMATIC

