

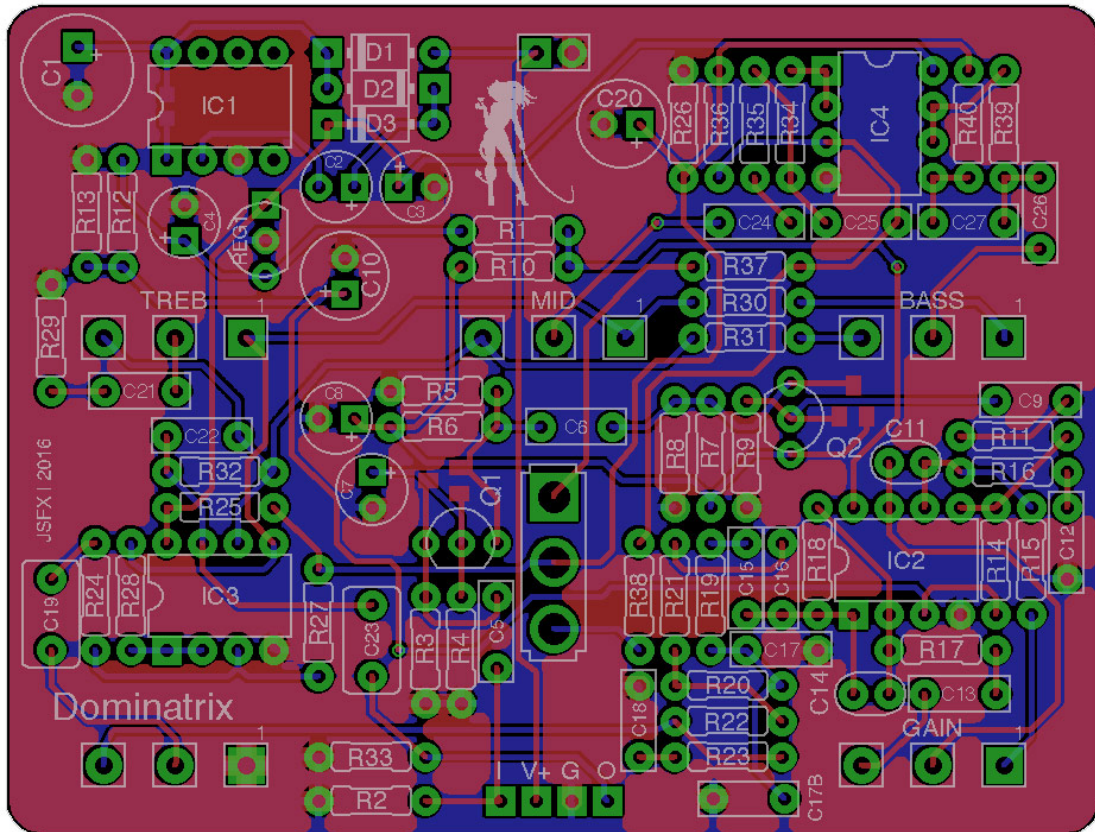
JUANSOLOFX

STOMPAGE.JUANSOLO.CO.UK

JSFX?

JSFX isn't actually a thing. It's just something to call me and Cleggy who are making effects for ourselves along with the PCB layout ninjitsu of Jason (Jubal81). Some of those PCBs might make it out into the wild so I thought I'd do some docs for them.

DOMINATRIX



OVERVIEW

This is the clone of the Dominator, my personal favourite high gain pedal. I built one of these back in the day on a giant etched board, then foolishly sold it. Wanting another, it made sense to get Jason on the case and do a layout for it so we could make it smaller.

NOTES

We have only ever built it with the OPA2604 and BF245A. These are now getting hard to get hold of so we've added SMD pads to the PCB. The BF545A is an SMD equivalent to the BF245A. As for the op-amp, we'll try some alternatives and update the doc if we find an equivalent.

In the highly likely event that you can't find a 51n cap, we've added a parallel cap (C17B) so you can put a 47n cap in C17 and a 3n9 in C17B in order to get the same result.

There is an error on both the v1 (no C17B) and v2 PCB. See the end of the doc.

JUANSOLOFX

STOMPAGE.JUANSOLO.CO.UK

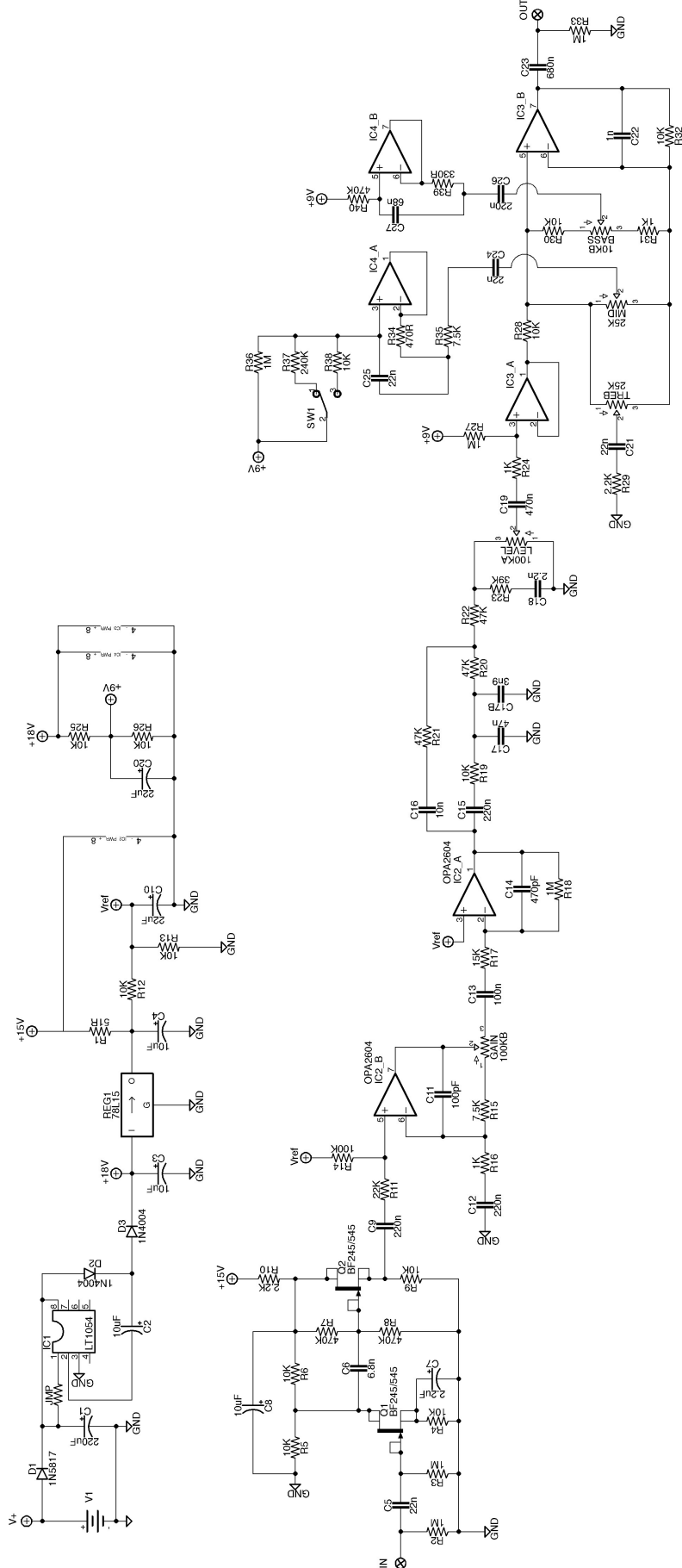
BOM

RESISTORS		CAPACITORS		OTHER PARTS	
R1	51R	C1	220U	D1	1N5817
R2	1M	C2	10U	D2	1N4004
R3	1M	C3	10U	D3	1N4004
R4	10K	C4	10U		
R5	10K	C5	22N	IC1	LT1054
R6	10K	C6	6N8	IC2	OPA2604
R7	470K	C7	2U2	IC3	TL072
R8	470K	C8	10U	IC4	TL072
R9	10K	C9	220N		
R10	2K2	C10	22U	Q1	BF245A
R11	22K	C11	100P	Q2	BF245A
R12	10K	C12	220N		
R13	10K	C13	100N	REG	78L15
R14	100K	C14	470P		
R15	7K5	C15	220N	SW1	SPDT
R16	1K	C16	10N		ON/OFF/ON
R17	15K	C17	51N*		
R18	1M	C18	2N2	LEVEL	A100K
R19	10K	C19	470N	TREBLE	B25K
R20	47K	C20	22U	MID	B25K
R21	47K	C21	22N	BASS	B10K
R22	47K	C22	1N	GAIN	B100K
R23	39K	C23	680N		
R24	1K	C24	22N		
R25	10K	C25	22N		
R26	10K	C26	220N		
R27	1M	C27	68N		
R28	10K				
R29	2K2				
R30	10K				
R31	1K				
R32	10K				
R33	1M				
R34	470R				
R35	7K5				
R36	1M				
R37	240K				
R38	10K				
R39	330R				
R40	470K				

* Or you can use a 47n in C17 and a 3n9 in C17B to get the same result.

JUANSOLOFX

STORAGE: JUANSOLO.COM

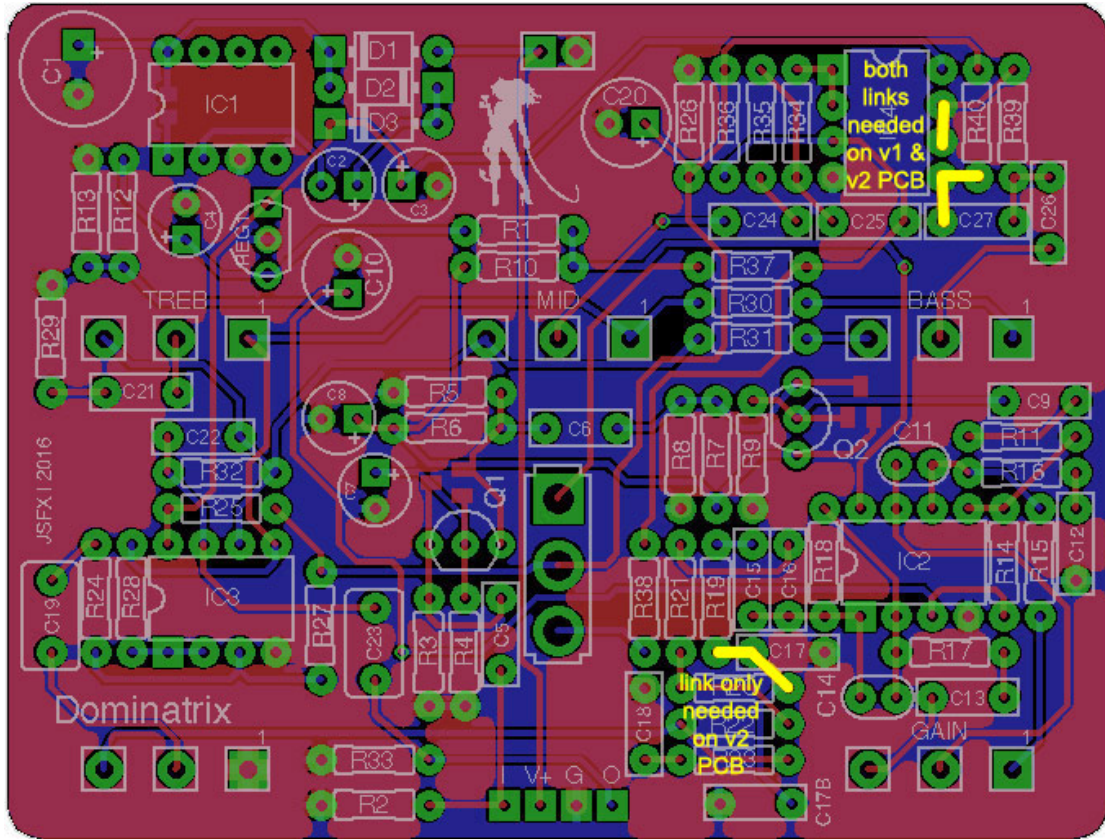


JUANSOLOFX

STOMPAGE.JUANSOLO.CO.UK

PCB ERRORS

If you have a v1 (doesn't have C17B pad) or v2 PCB, you will need to make a couple of fixes for some missing links on the PCB.



I just used the legs of old components to make the links. Pic on next page of the actual v2 PCB.

JUANSOLOFX

STOMPAGE.JUANSOLO.CO.UK

