

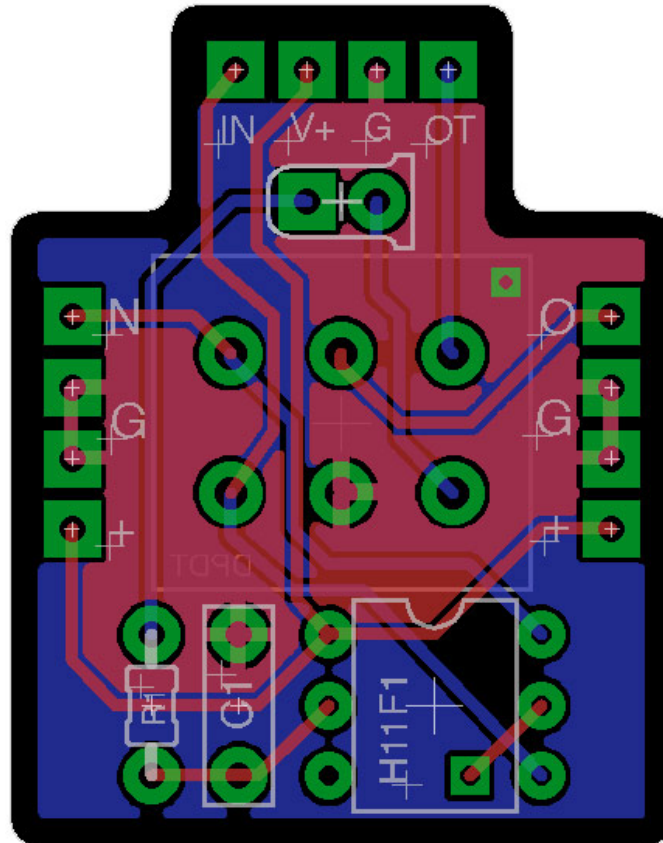
# JUANSOLOFX

[STOMPAGE.JUANSOLO.CO.UK](http://STOMPAGE.JUANSOLO.CO.UK)

## JSFX?

JSFX isn't actually a thing. It's just something to call me and Cleggy who are making effects for ourselves along with the PCB layout ninjitsu of Jason (Jubal81). Some of those PCBs might make it out into the wild so I thought I'd do some docs for them.

## JUAN BYPASS



## OVERVIEW

Juan bypass to rule them all...

This is essentially a Lumen that's been re-arranged to work with how I build pedals and to be more multi-friendly.

## NOTES

The footswitch is the rather verbosely titled **Taiwan Alpha SF12011F-0202-20R-L-011 DPDT Latching Action Foot Switch**.

I get them from Rapid Electronics in the UK here: [Alpha Footswitch](#)

# JUANSOLOFX

[STOMPAGE.JUANSOLO.CO.UK](http://STOMPAGE.JUANSOLO.CO.UK)

## BOM

R1	4K7	C1	220N	IC1	H11F1
				STOMP	ALPHA DPDT LATCHING

## SCHEMATIC

