

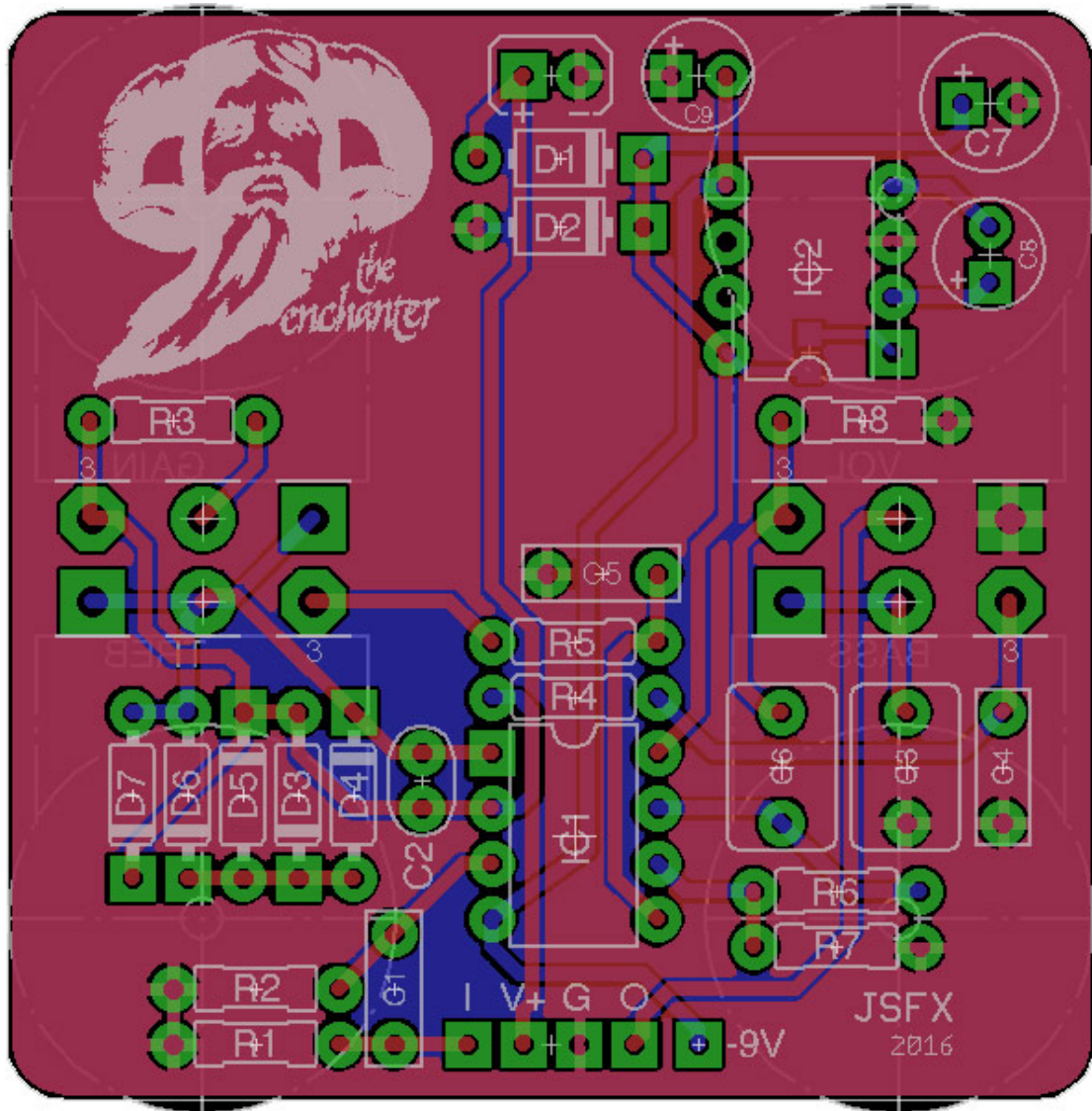
JUANSOLOFX

STOMPAGE.JUANSOLO.CO.UK

JSFX?

JSFX isn't actually a thing. It's just something to call me and Cleggy who are making effects for ourselves along with the PCB layout ninjitsu of Jason (Jubal81). Some of those PCBs might make it out into the wild so I thought I'd do some docs for them.

THE ENCHANTER



OVERVIEW

Grind's Catch-22, itself an 15V Timmy-ish clone, just fettled to our standard build with the switch removed.

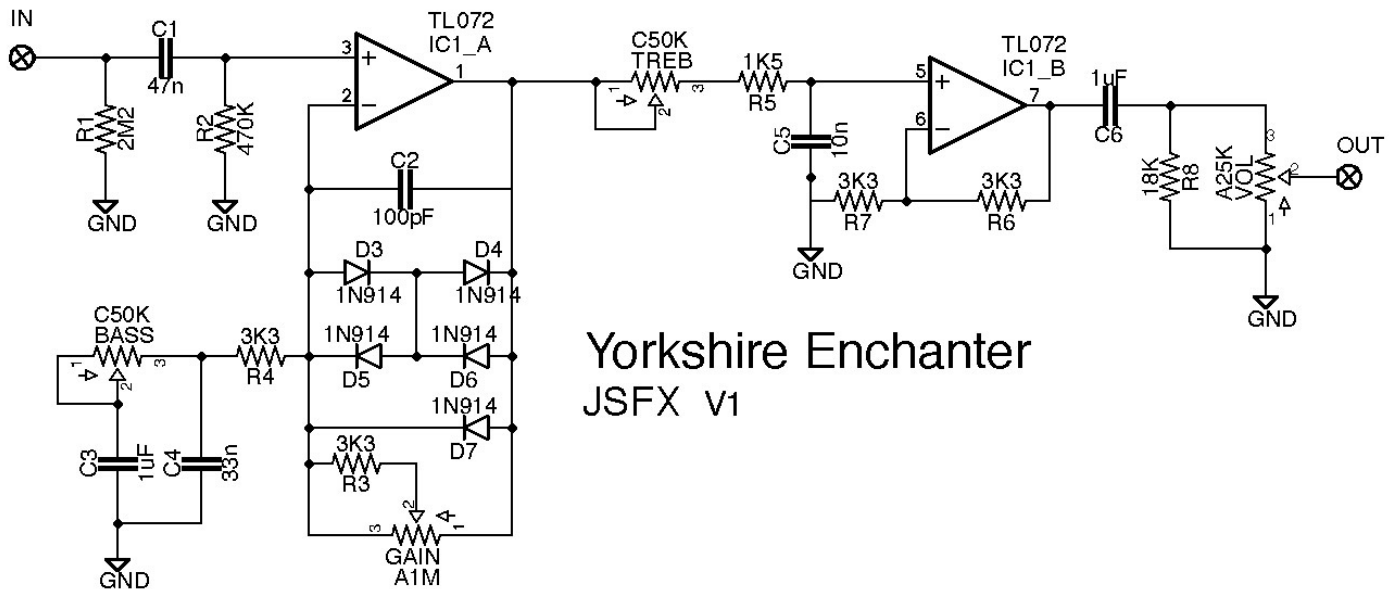
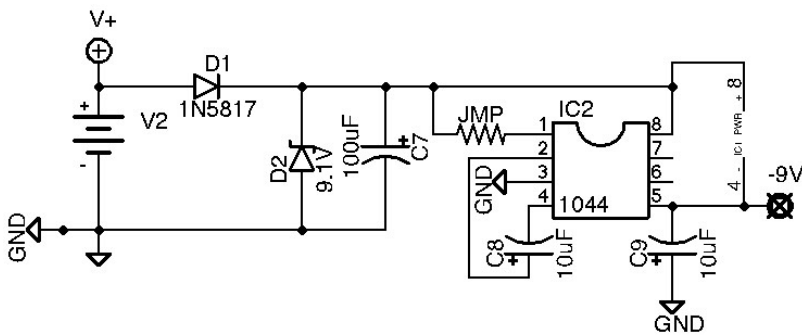
If you wish to run an 18V you can swap out D1 for a 1N5817, the zener for a 9.1V and the op-amp for a TL072 (the TLC2272 is only rated for +/- 8V). However, the TL072 not being rail to rail, you may get some op-amp clipping even when not at the full voltage swing with this set up.

JUANSOLOFX

STOMPAGE.JUANSOLO.CO.UK

BOM

RESISTORS		CAPACITORS		OTHER PARTS	
R1	2M2	C1	47n	D1	1N5817
R2	470K	C2	100p	D2	9.1V ZENER
R3	3K3	C3	1u	D3-D7	1N914
R4	3K3	C4	33n		
R5	1K5	C5	10n	IC1	TL072
R6	3K3	C6	1u	IC2	LT1054
R7	3K3	C7	100u	BASS	C50K
R8	18K	C8	10u	GAIN	A1M
		C9	10u	TREB	C50K
				VOL	A25K



Yorkshire Enchanter
JSFX V1